

REVISIONS
A

DRAWN TD

CHECKED

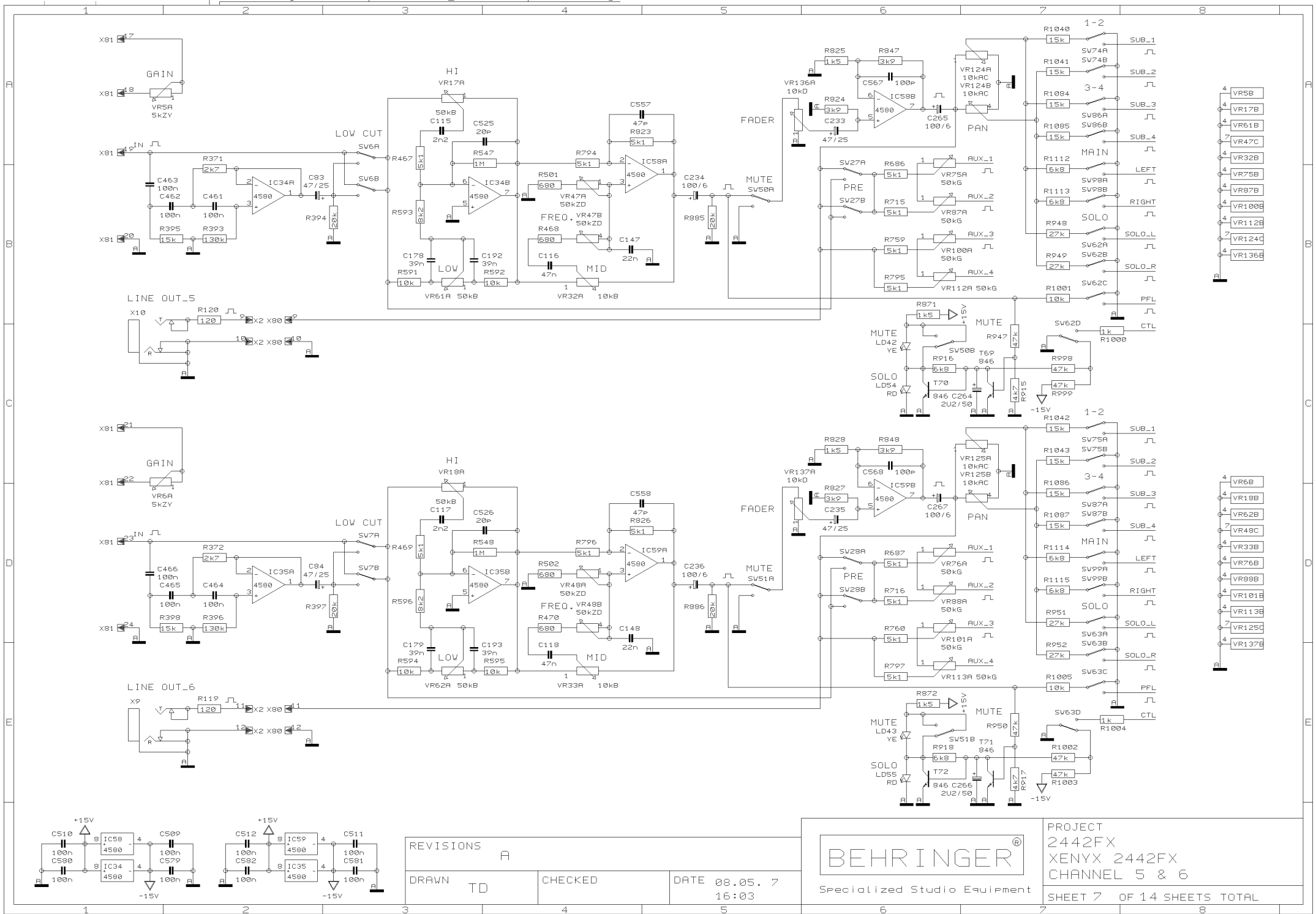
DATE 08.05.7
16:03



Specialized Studio Equipment

PROJECT
2442FX
XENYX 2442FX
INPUT CH. 9-12

SHEET 3 OF 14 SHEETS TOTAL



REVISIONS
A

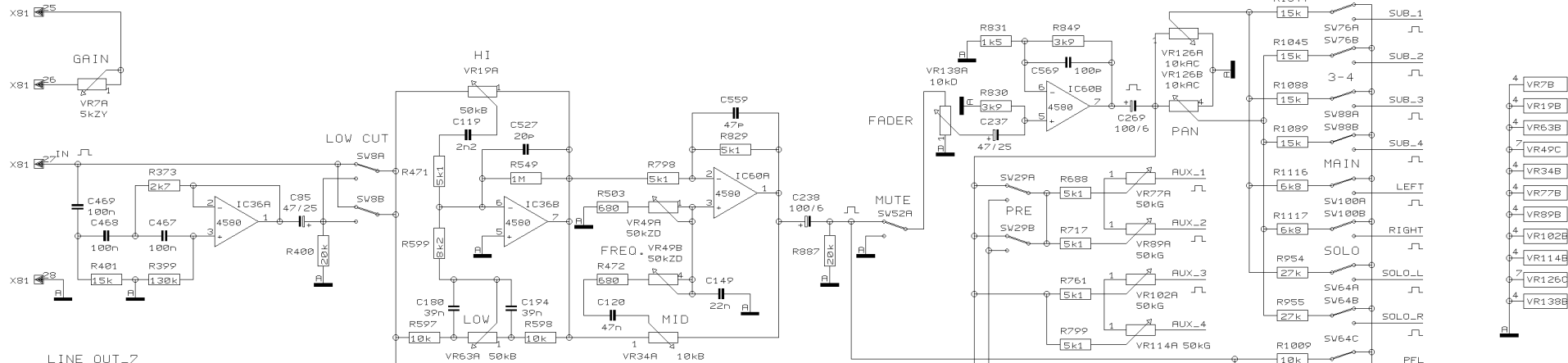
DRAWN TD

CHECKED

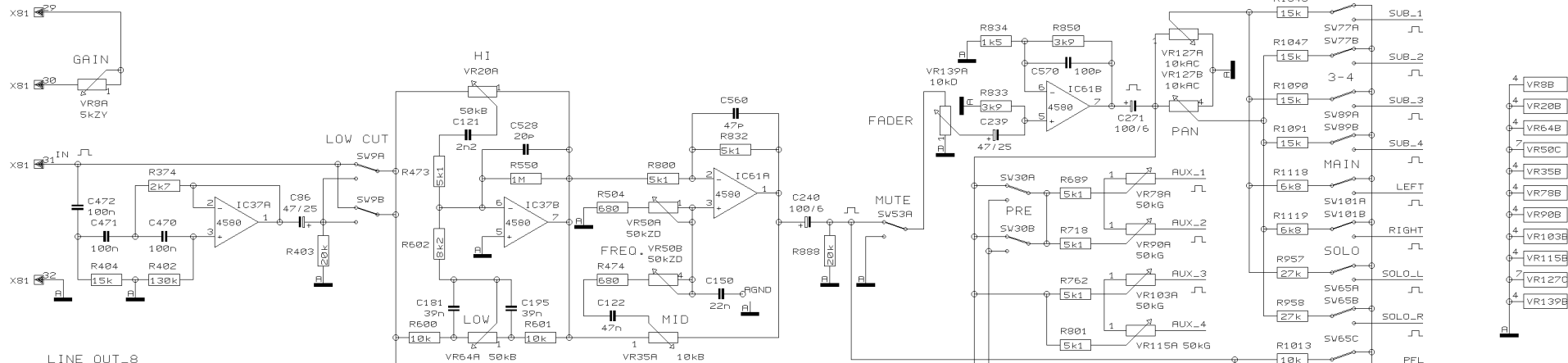
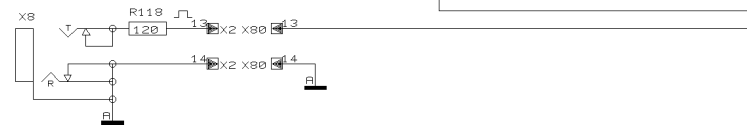
DATE 08.05.7
16:03



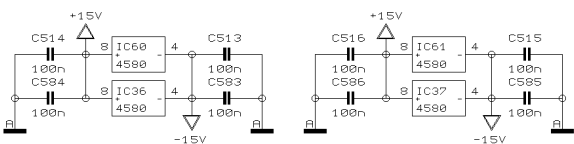
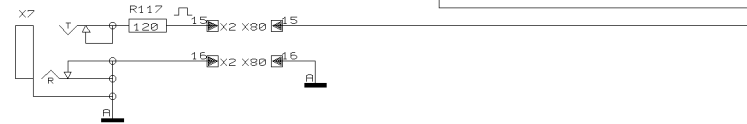
PROJECT
2442FX
XENYX 2442FX
CHANNEL 5 & 6
SHEET 7 OF 14 SHEETS TOTAL



LINE OUT_7



LINE OUT_8



REVISIONS A

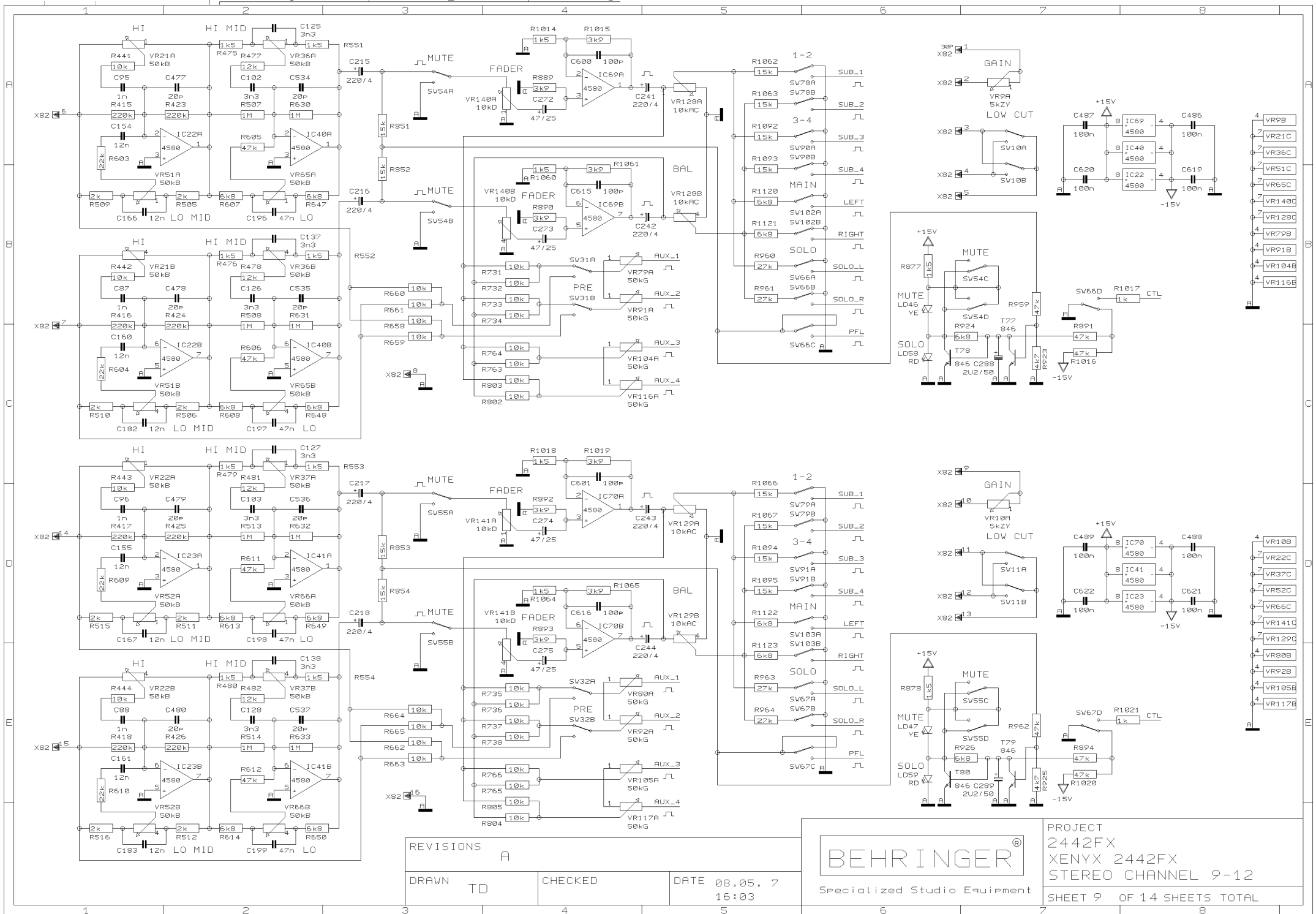
DRAWN TD

CHECKED

DATE 08.05.7 16:03



PROJECT 2442FX XENYX 2442FX CHANNEL 7 & 8 SHEET 8 OF 14 SHEETS TOTAL



REVISIONS
A

DRAWN TD

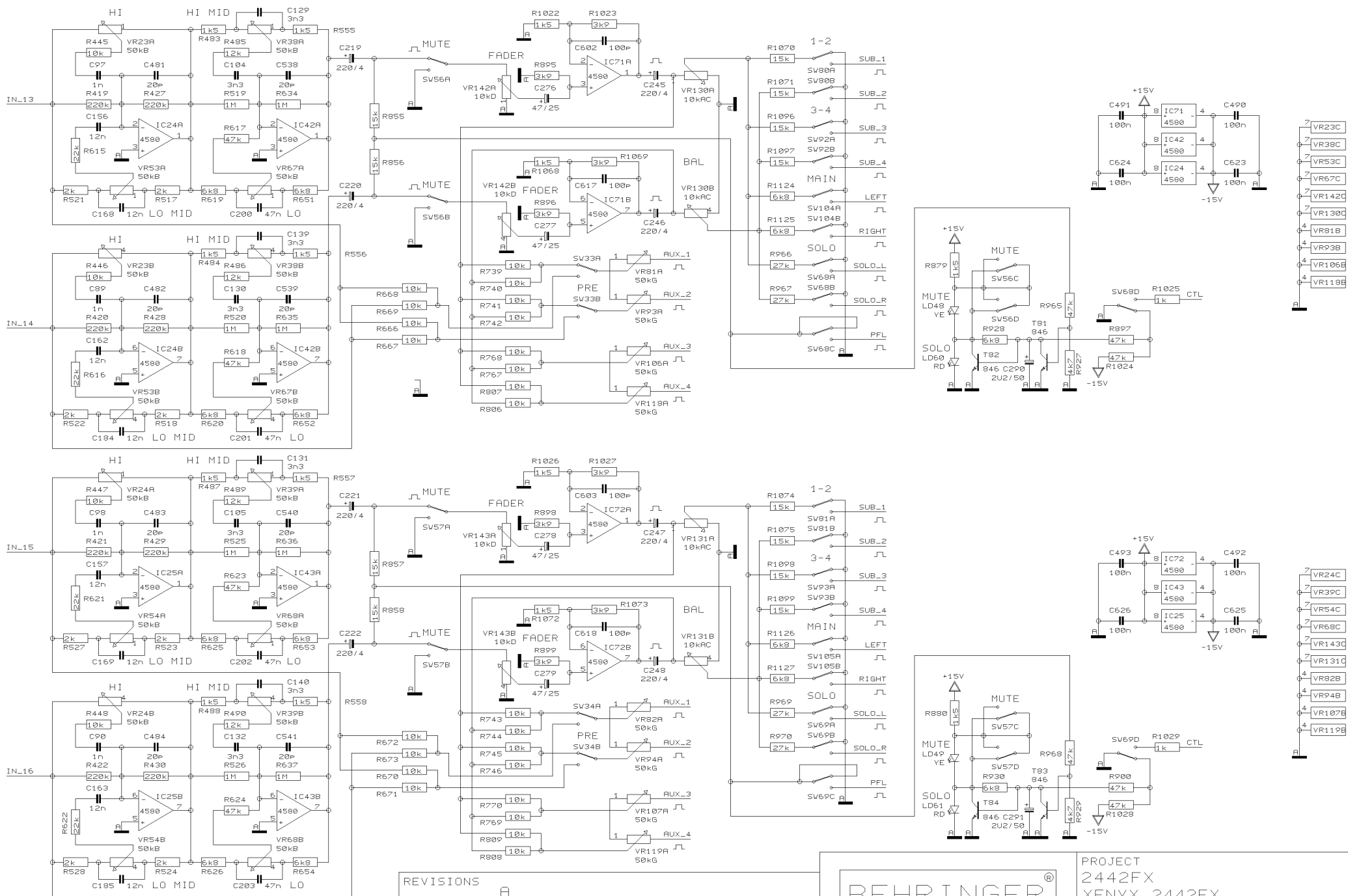
CHECKED

DATE 08.05.7
16:03



PROJECT
2442FX
XENYX 2442FX
STEREO CHANNEL 9-12

SHEET 9 OF 14 SHEETS TOTAL



REVISIONS
A

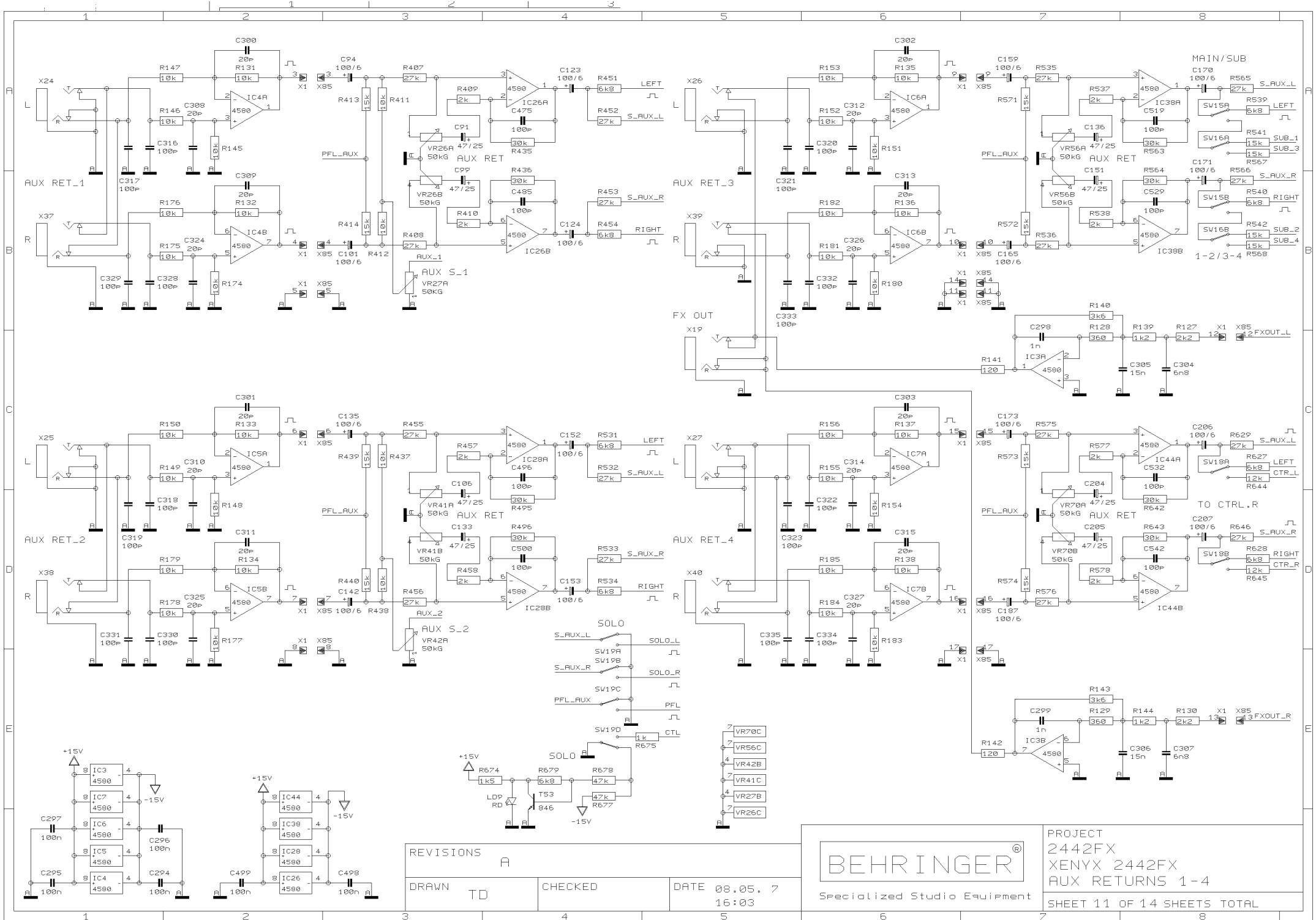
DRAWN TD

CHECKED

DATE 08.05.7
16:03



PROJECT
2442FX
XENYX 2442FX
STEREO CHANNEL 13-16
SHEET 10 OF 14 SHEETS TOTAL



REVISIONS
A

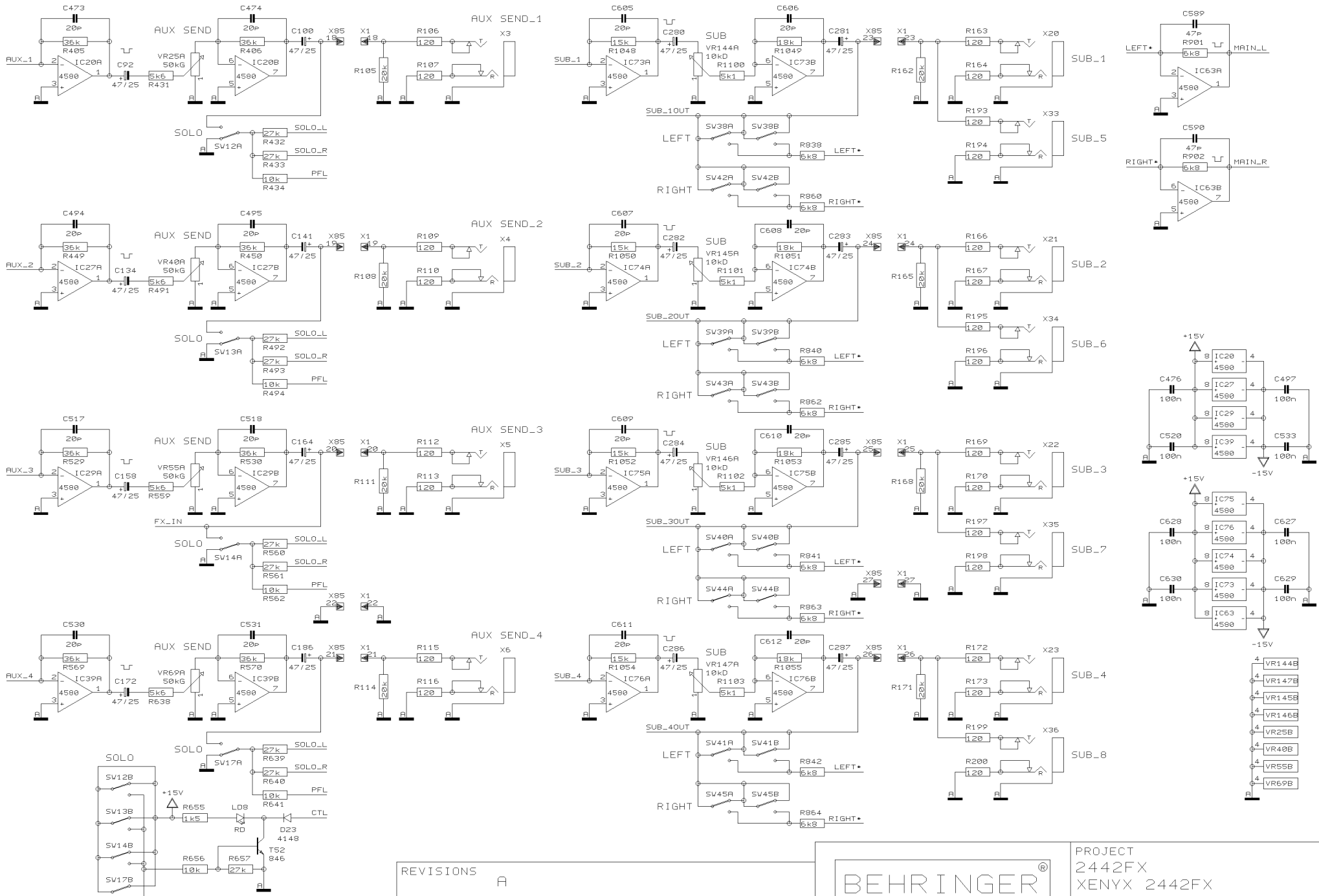
DRAWN TD

CHECKED

DATE 08.05.7
16:03



PROJECT
2442FX
XENYX 2442FX
AUX RETURNS 1-4
SHEET 11 OF 14 SHEETS TOTAL



REVISIONS
A

DRAWN TD

CHECKED

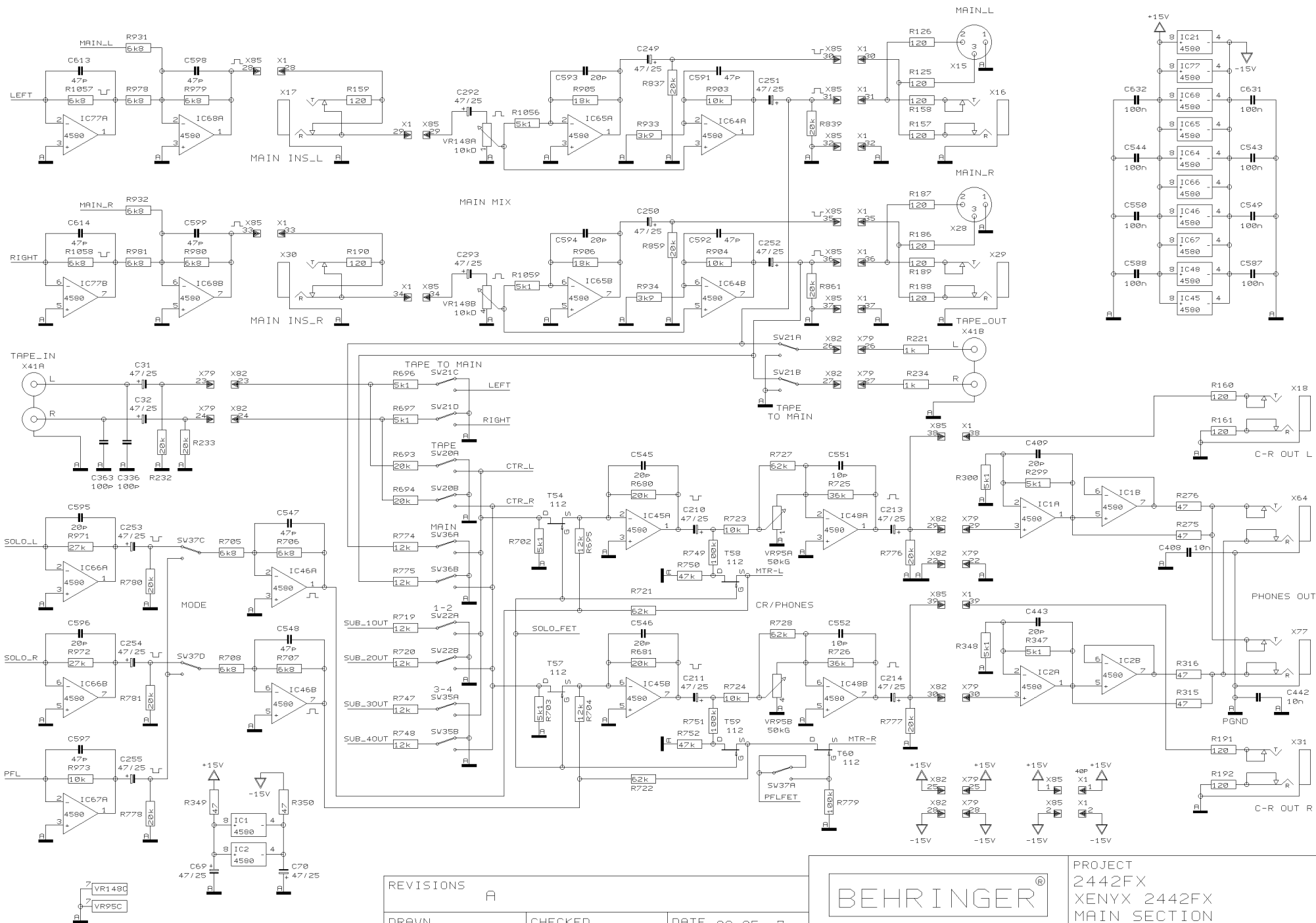
DATE 08.05.7
16:03

BEHRINGER®

Specialized Studio Equipment

PROJECT
2442FX
XENYX 2442FX
AUX SENDS/SUB OUTS 1-4

SHEET 12 OF 14 SHEETS TOTAL



REVISIONS

A

DRAWN

TD

CHECKED

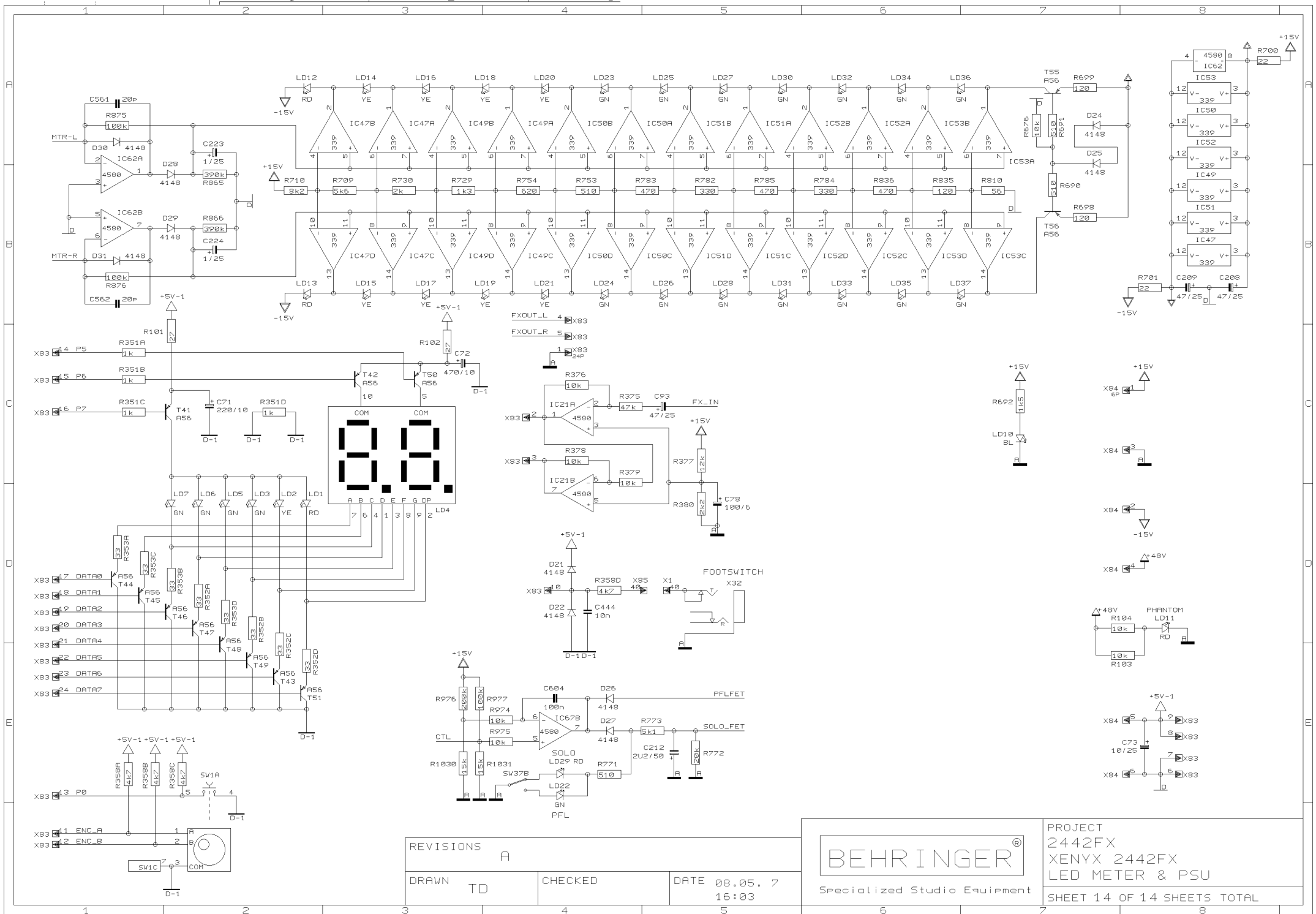
DATE 08.05.7
16:03

BEHRINGER®

Specialized Studio Equipment

PROJECT
2442FX
XENYX 2442FX
MAIN SECTION

SHEET 13 OF 14 SHEETS TOTAL



REVISIONS	A	
DRAWN	TD	CHECKED
DATE 08.05.7		16:03



PROJECT
2442FX
XENYX 2442FX
LED METER & PSU
SHEET 14 OF 14 SHEETS TOTAL